



**Delta  
Hydronics**

# High Efficiency Aquarium Boiler Package



The Delta Hydronics Aquarium Boiler Package is a compact, energy efficient, and cost effective way to provide temperature control to a single point application in Zoos, aquariums, pools, etc. The package utilizes a 95% efficient Condensing Boiler, Insulated & Jacketed Buffer Tank, and Compact Plate Heat Exchanger (Titanium or Stainless Steel) in a closed loop hydronic system to effectively bring your application to a desired temperature setpoint. All equipment comes pre-plumbed, mounted on FRP grating secured with 316 SS hardware.

## SKID SPECIFICATIONS

MODEL NUMBER	BTU OUTPUT	AQUATIC SYSTEM FLOW AT 5PSI ΔP	DIMENSIONS	BUFFER TANK SIZE	STD CONNECTION SIZE
DHABP-0199	199 500	24 GPM	48" x 48" x 78"	30 GALLON	2"
DHABP-0270	270 750	30 GPM	48" x 48" x 78"	30 GALLON	2"
DHABP-0376	376 000	30 GPM	48" x 48" x 78"	30 GALLON	2"
DHABP-0470	470 000	30 GPM	48" x 48" x 78"	30 GALLON	2 1/2"
DHABP-0564	564 000	35 GPM	54" x 48" x 78"	50 GALLON	2 1/2"
DHABP-0658	658 000	37 GPM	54" x 48" x 78"	50 GALLON	3"
DHABP-0752	752 000	40 GPM	54" x 48" x 78"	50 GALLON	3"

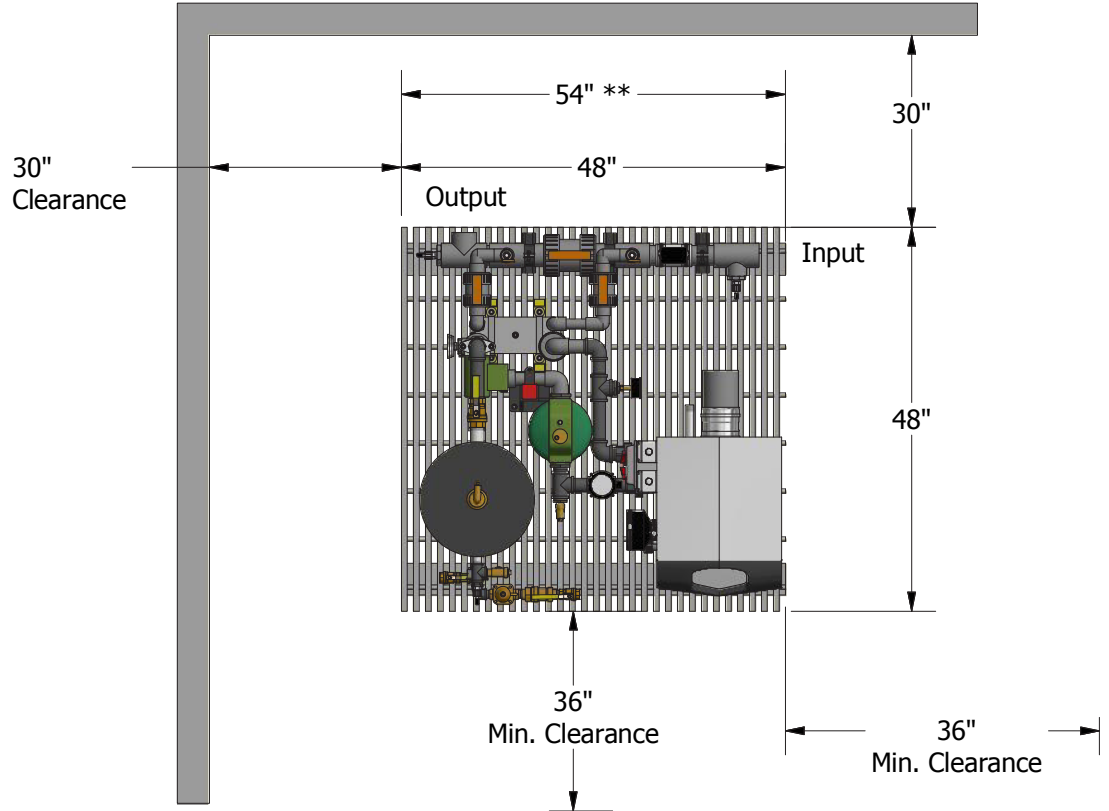
\* Larger sizes and multipoint systems available upon request



# High Efficiency Aquarium Boiler Package

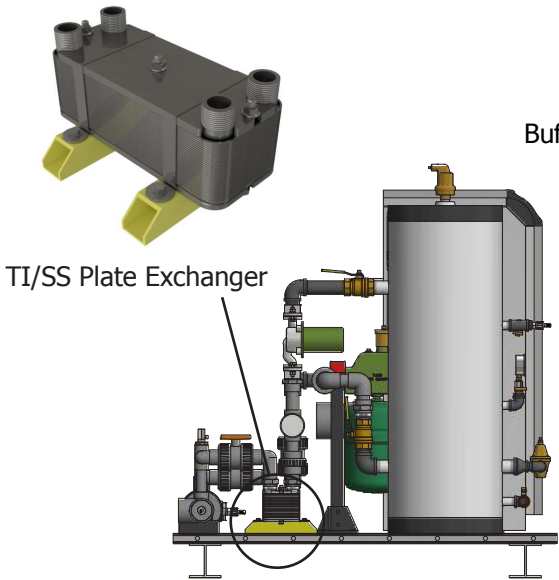
## DIMENSIONS

Wall potential locations. There must be sufficient clearance to access the pump or HX for maintenance or repair. 30" minimum.

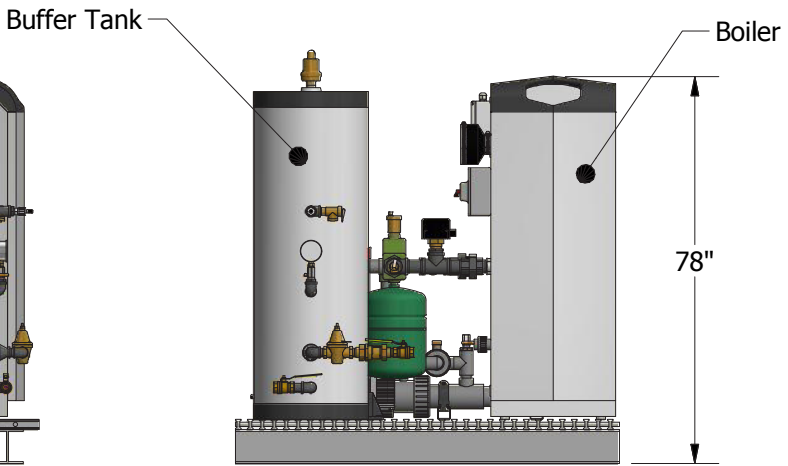


\*\* Skid width for model DHABP-0564, DHABP-0658 & DHABP-0752

### TOP VIEW



### SIDE VIEW



### FRONT VIEW