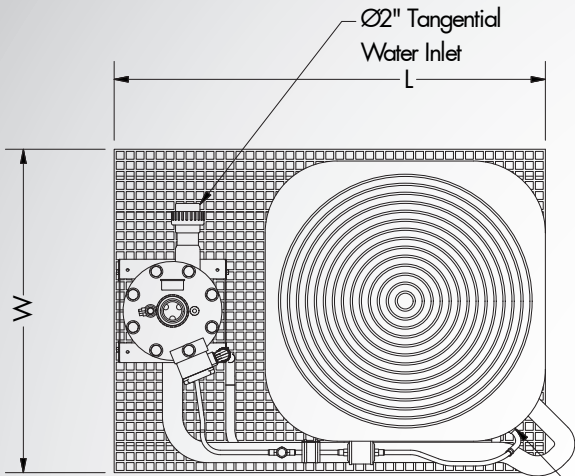


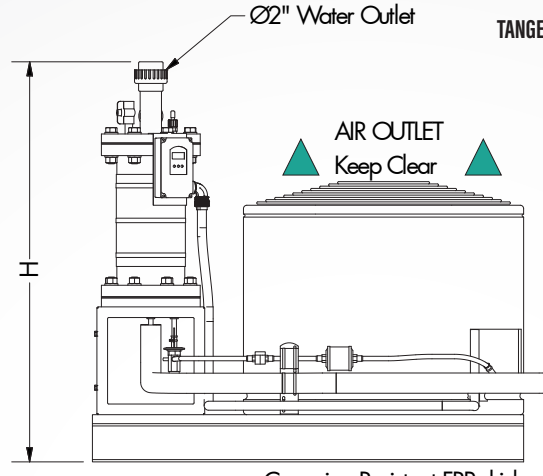


HYDROMARINE HEAT PUMP 1.5 - 5.0 TONS

TITANIUM HEAT EXCHANGER FOR USE IN ALL AQUATIC CHILLING/HEATING APPLICATIONS

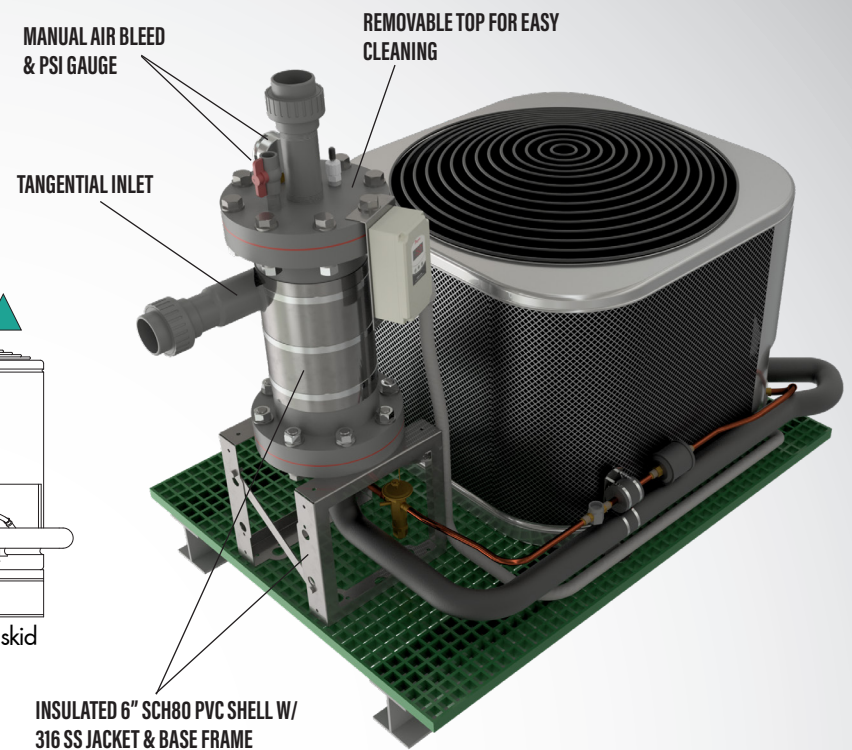


PLAN VIEW



FRONT VIEW

Electrical and Refrigerant Component Service Panel Access



MODEL NUMBER	SPECIFICATIONS			DIMENSIONS			POWER OPTIONS			
	Tonnage / BTUH	Vertical Air Discharge (CFM)	Δ PSI at max flow	Water Flow Range (GPM)	Length (L)	Width (W)	Max. Height (H)	208-230V / 1 ph. MCA	208-230V / 3 ph. MCA	460V / 3 ph. MCA
DH-HP-1.5	1.5 / 18 000	1700	<4	20 - 60	48"	26"	45"	11.8	n/a	n/a
DH-HP-2	2.0 / 24 000	2195	<4	20 - 60	48"	26"	45"	14.2	n/a	n/a
DH-HP-2.5	2.5 / 30 000	3165	<4	20 - 80	48"	35"	49"	18.3	13.6	n/a
DH-HP-3	3.0 / 36 000	3365	<4	20 - 80	48"	35"	49"	20	14.1	7.9
DH-HP-3.5	3.5 / 42 000	3365	<4	20 - 80	48"	35"	49"	14	18.4	n/a
DH-HP-4	4.0 / 48 000	3800	<4	25 - 110	48"	35"	58"	25.2	18.7	8.5
DH-HP-5	5.0 / 60 000	4470	<4	25 - 110	48"	35"	58"	32	21.1	10.4

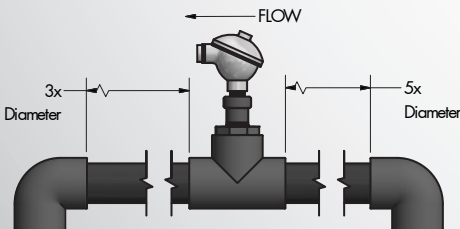
*MCA is the highest steady-state electrical current that the unit should see when operating correctly

NOTES:

- Gr.2 TITANIUM TUBE HEAT EXCHANGER COIL
- NORMAL OPERATING AMBIENT AIR TEMPERATURE: 50 F - 115 F
- ALL CONDENSING UNITS HAVE A 14 SEER RATING.
- TOP DISCHARGE AREA SHOULD BE UNRESTRICTED FOR 48 INCHES MINIMUM
- AVOID PLACING UNIT IN DIRECT AREA OF ROOF RUNOFF OR CONSTANT WATER FLOW
- CONSULT **CARRIER** SPECIFIED CONDENSER CLEARANCES WHEN PLACING UNIT(S)
- SCH 80 PVC SHELL CONSTRUCTION WITH REMOVABLE FLANGED ENDS
- ALL 316 SS BASE, JACKET AND HARDWARE
- TEMPERATURE CONTROLLER CAN BE SET +/- 0.1° F/C
- UNIT ARRIVES CHARGED WITH R-410A REFRIGERANT

OPTIONS:

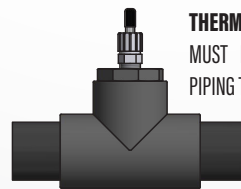
- LOW AMBIENT HEAD PRESSURE SWITCH FOR OUTDOOR TEMPERATURES -0°F TO 55°F
- COMPRESSOR START ASSIST FOR APPLICATIONS WITH POSSIBLE LOW VOLTAGE ISSUES
- MARINE CONDENSER COATING FOR COASTAL APPLICATIONS
- FACTORY MOUNTED & WIRED FLOW SWITCH
- INLET ORIENTATION SPECIFIED AT TIME OR ORDER



FIELD INSTALLED FLOW SWITCH

FLOW SWITCH NOTE:

FLOW SWITCH MUST BE INSTALLED HORIZONTALLY ON INLET OF HEAT EXCHANGER, WITH MINIMUM STRAIGHT PIPE DISTANCES BEFORE AND AFTER AS SHOWN IN DRAWING. OPTIONAL FACTORY MOUNT & WIRE.



THERMOWELL

THERMOWELL NOTE:

MUST BE INSTALLED ON INLET PIPING TO HEAT EXCHANGER.



Delta Hydronics

9100 Bolton Ave., Hudson, FL, 34667 (727) 861-2421 - info@deltahydro.com