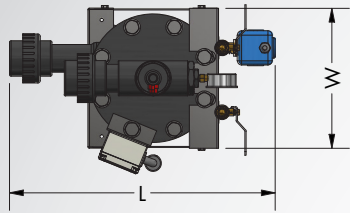


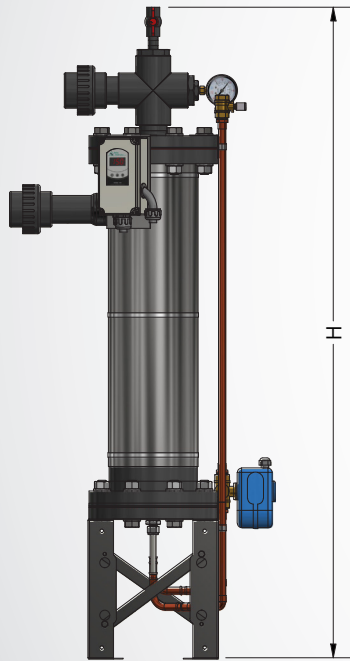


HYDROMARINE HEAT EXCHANGER (DH-WTW-6x2)

WATER TO WATER TITANIUM HEAT EXCHANGER FOR USE IN ALL AQUATIC CHILLING/HEATING APPLICATIONS



PLAN VIEW



FRONT VIEW

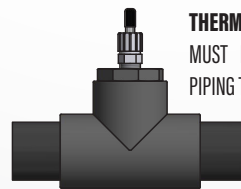
DIMENSIONS				
Aquatic Connection Size	Process Connection Size	Length (L)	Width (W)	Max. Height (H)
2"	3/4"	23"	12"	56"

BTU PERFORMANCE CHART											
Δ T OF AQUATIC WATER & PROCESS HEATING / CHILLING LOOP											
Aquatic Flow (GPM)	10	15	20	25	30	35	40	45	50	55	60
20	8 000	14 000	18 000	25 000	30 000	32 000	37 000	42 000	44 000	49 000	58 000
30	9 000	16 500	19 500	27 000	34 500	37 500	42 000	46 500	54 000	57 000	66 000
40	10 000	16 000	22 000	28 000	34 000	40 000	46 000	52 000	56 000	60 000	70 000
50	11 875	15 000	22 500	30 000	37 500	42 500	47 500	57 500	60 000	65 000	77 500
60	12 000	18 000	24 000	33 000	39 000	45 000	51 000	58 500	63 000	69 000	81 000
70	14 000	17 500	27 125	31 500	38 500	49 000	52 500	63 000	70 000	75 250	84 000
80	16 000	20 000	30 000	34 000	42 000	52 000	56 000	66 000	74 000	80 000	88 000
90	18 000	22 500	31 500	40 500	49 500	63 000	67 500	76 500	81 000	90 000	96 750

- * BTU performance based on 2.5 GPM process flow @ 10 PSID
- * Increases in aquatic flow, process flow, or delta-T of process/aquatic water temps will increase BTU output.
- * Aquatic side PSID at 90 GPM is 3 PSI
- * Derating factors for 45F Propylene Glycol solutions: (20% PG - 0.96), (30% PG - 0.94), refer to PG tables for other oper temps & solutions.

FLOW SWITCH NOTE:

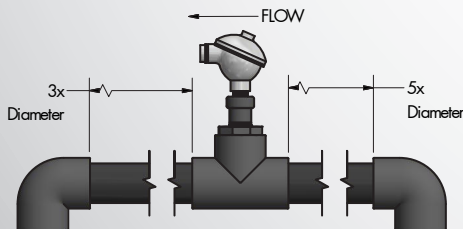
FLOW SWITCH MUST BE INSTALLED HORIZONTALLY ON INLET OF HEAT EXCHANGER, WITH MINIMUM STRAIGHT PIPE DISTANCES BEFORE AND AFTER AS SHOWN IN DRAWING. OPTIONAL FACTORY MOUNT & WIRE.



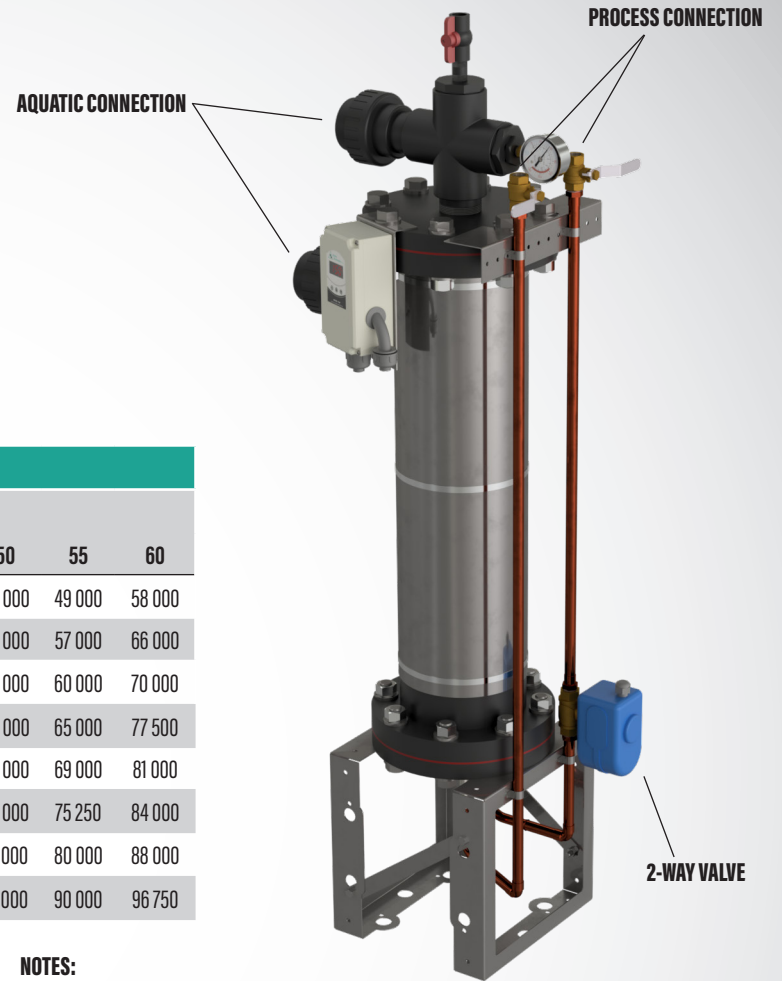
THERMOWELL

THERMOWELL NOTE:

MUST BE INSTALLED ON INLET PIPING TO HEAT EXCHANGER.



FIELD INSTALLED FLOW SWITCH



NOTES:

- Gr.2 TITANIUM TUBE HEAT EXCHANGER COIL
- SCH 80 PVC SHELL CONSTRUCTION WITH REMOVABLE FLANGED ENDS
- ALL 316 SS BASE, JACKET AND HARDWARE
- TEMPERATURE CONTROLLER CAN BE SET +/- 0.1° F/C
- 120v CONTROLLER AND 2-WAY BALL-VALVE

OPTIONS:

- FACTORY MOUNTED & WIRED FLOW SWITCH
- SCH 80 CPVC SHELL CONSTRUCTION WITH REMOVABLE FLANGED ENDS (Recommended for Heating)
- HI-LIMIT SAFETY SOLENOID VALVE
- HYDRONIC FLOW METER
- ALTERNATE FLOW CONTROL DEVICE



Delta Hydronics

9100 Bolton Ave., Hudson, FL, 34667 (727) 861-2421 - info@deltahydro.com