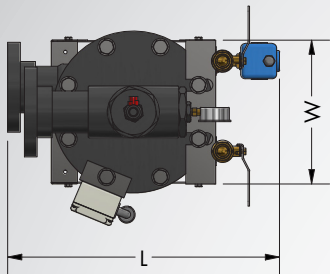


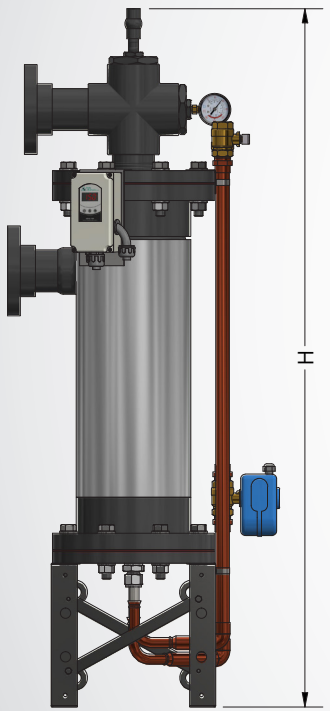


HYDROMARINE HEAT EXCHANGER (DH-WTW-8x3)

WATER TO WATER TITANIUM HEAT EXCHANGER FOR USE IN ALL AQUATIC CHILLING/HEATING APPLICATIONS



PLAN VIEW



FRONT VIEW

DH-WTW-8x3

Aquatic Flow (GPM)

NOTES:

- Gr.2 TITANIUM TUBE HEAT EXCHANGER COIL
- SCH 80 PVC SHELL CONSTRUCTION WITH REMOVABLE FLANGED ENDS
- ALL 316 SS BASE, JACKET AND HARDWARE
- TEMPERATURE CONTROLLER CAN BE SET +/- 0.1° F/C
- 120v CONTROLLER AND 2-WAY BALL-VALVE

OPTIONS:

- FACTORY MOUNTED & WIRED FLOW SWITCH
- SCH 80 CPVC SHELL CONSTRUCTION WITH REMOVABLE FLANGED ENDS (Recommended for Heating)
- LIMIT SOLENOID VALVE
- HYDRONIC FLOW METER
- ALTERNATE FLOW CONTROL DEVICE

DIMENSIONS

Aquatic Connection Size	Process Connection Size	Length (L)	Width (W)	Height (H)
3"	1"	23"	12"	58"

BTU PERFORMANCE CHART

Δ T OF AQUATIC WATER & PROCESS HEATING / CHILLING LOOP

	10	15	20	25	30	35	40	45	50	55	60	65	70	75
20	15 000	24 000	30 000	34 000	39 000	50 000	55 000	66 000	73 000	78 000	81 000	86 000	93 000	100 000
30	18 000	28 500	34 500	37 500	55 500	61 500	63 000	79 500	88 500	93 000	97 500	108 000	118 500	129 000
40	22 000	32 000	38 000	40 000	66 000	72 000	76 000	92 000	98 000	118 000	116 000	126 000	132 000	144 000
50	22 500	35 000	45 000	50 000	72 500	75 000	82 500	100 000	105 000	130 000	135 000	135 000	147 500	155 000
60	24 000	36 000	48 000	54 000	75 000	78 000	87 000	108 000	117 000	135 000	138 000	144 000	156 000	165 000
70	28 000	38 500	50 750	59 500	77 000	84 000	91 000	112 000	122 500	140 000	143 500	154 000	164 500	178 500
80	30 000	40 000	52 000	64 000	76 000	88 000	100 000	114 000	128 000	144 000	152 000	160 000	168 000	184 000
90	31 500	42 750	54 000	67 500	81 000	90 000	99 000	117 000	130 500	148 500	157 500	166 500	171 000	189 000
100	32 500	45 000	57 500	70 000	85 000	95 000	105 000	120 000	132 500	150 000	160 000	170 000	175 000	192 500
110	34 100	46 750	60 500	77 000	88 000	99 000	110 000	123 750	136 125	154 000	165 000	176 000	181 500	195 250
120	36 000	49 500	63 000	48 000	90 000	102 000	114 000	126 000	138 000	156 000	168 000	180 000	186 000	198 000
130	37 375	52 000	65 000	81 250	97 500	104 000	117 000	130 000	143 000	159 250	170 625	182 000	195 000	201 500

* BTU performance based on 7 GPM process flow @ 10 PSID

* Increases in aquatic flow, process flow, or delta-T of process/aquatic water temps will increase BTU output

* Aquatic side PSID at 130 GPM is 5 PSID

* Derating factors for 45F Propylene Glycol solutions: (20% PG - 0.96), (30% PG - 0.94), refer to PG tables for other oper temps & solutions.

FLOW SWITCH NOTE:

FLOW SWITCH MUST BE INSTALLED HORIZONTALLY ON INLET OF HEAT EXCHANGER, WITH MINIMUM STRAIGHT PIPE DISTANCES BEFORE AND AFTER AS SHOWN IN DRAWING. OPTIONAL FACTORY MOUNT & WIRE.

THERMOWELL NOTE:

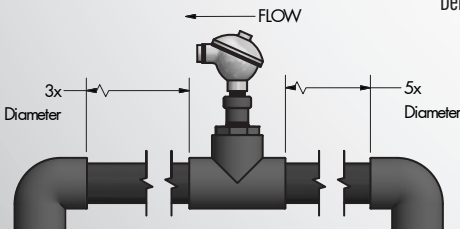
MUST BE INSTALLED ON INLET PIPING TO HEAT EXCHANGER.

AQUATIC CONNECTION

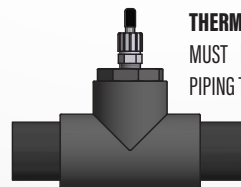
PROCESS CONNECTION



2-WAY VALVE



FIELD INSTALLED FLOW SWITCH



THERMOWELL



Delta Hydronics

9100 Bolton Ave., Hudson, FL, 34667 (727) 861-2421 - info@deltahydro.com