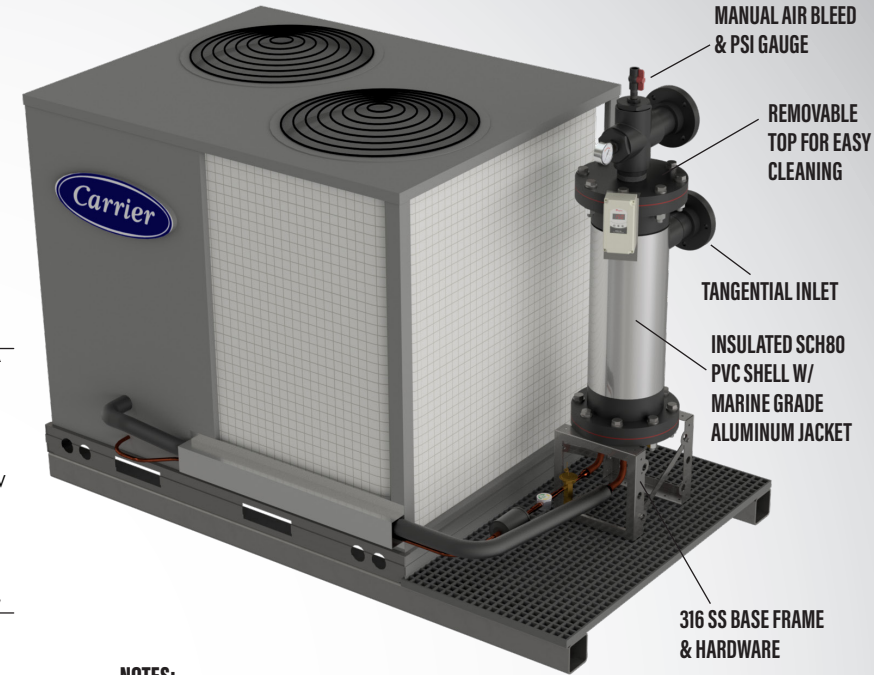
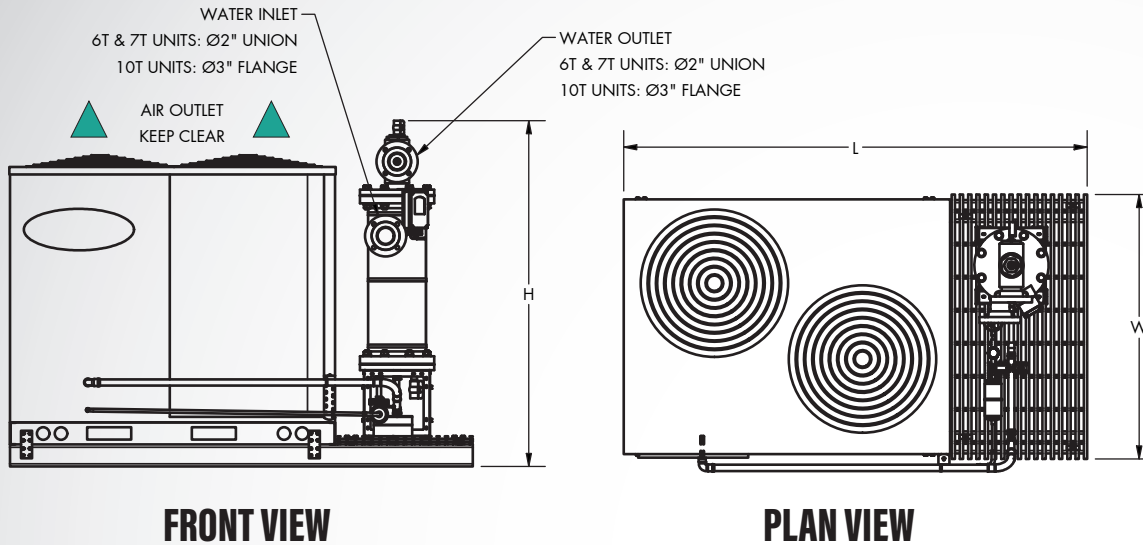




# HYDROMARINE HEAT PUMP 6 TO 10 TONS

TITANIUM HEAT EXCHANGER FOR USE IN ALL AQUATIC CHILLING/HEATING APPLICATIONS

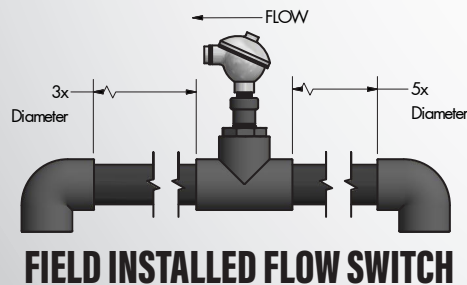


MODEL NUMBER	SPECIFICATIONS				DIMENSIONS			POWER OPTIONS	
	Nominal Tonnage / BTUH	Vertical Air Discharge (CFM)	Δ PSI at max flow	Water Flow Range (GPM)	Length (L)	Width (W)	Max. Height (H)	208-230V / 3 ph. MCA / MOCP	460V / 3 ph. MCA / MOCP
DH-HP-6	6 / 72 000	6 000	<5	60 - 120	84"	48"	63"	25 / 30	13 / 20
DH-HP-7.5	7.5 / 90 000	6 000	<5	80 - 120	84"	48"	63"	35 / 50	18 / 30
DH-HP-10	10 / 120 000	6 000	<5	100 - 180	84"	48"	63"	42 / 60	23 / 30

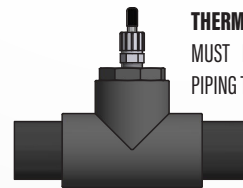
\*MCA is the highest steady-state electrical current that the unit should see when operating correctly

\*MOCP is the max recommended breaker size

\*Nominal Tonnage is based on entering water temperature of 70°F



**FLOW SWITCH NOTE:**  
FLOW SWITCH MUST BE INSTALLED HORIZONTALLY ON INLET OR OUTLET OF HEAT EXCHANGER, WITH MINIMUM STRAIGHT PIPE DISTANCES BEFORE AND AFTER AS SHOWN IN DRAWING. OPTIONAL FACTORY MOUNT & WIRE.



**THERMOWELL**

**THERMOWELL NOTE:**  
MUST BE INSTALLED ON INLET PIPING TO HEAT EXCHANGER.

**NOTES:**

- CONDENSER AND SKID MOUNTED ON 4" MARINE GRADE ALUMINUM SQUARE TUBE
- Gr.2 TITANIUM TUBE HEAT EXCHANGER COILS
- NORMAL OPERATING AMBIENT AIR TEMPERATURE: 50 F - 115 F
- ALL CONDENSING UNITS HAVE EER OF 11 OR BETTER.
- TOP DISCHARGE AREA SHOULD BE UNRESTRICTED FOR 48 INCHES MINIMUM
- AVOID PLACING UNIT IN DIRECT AREA OF ROOF RUNOFF OR CONSTANT WATER FLOW
- CONSULT **CARRIER** SPECIFIED CONDENSER CLEARANCES WHEN PLACING UNIT(S)
- SCH 80 PVC SHELL CONSTRUCTION WITH REMOVABLE FLANGED ENDS
- ALL 316 SS BASE AND HARDWARE
- MARINE GRADE ALUMINUM JACKET WITH SALTWATER CORROSION RESISTANT CLEAR COATING
- TEMPERATURE CONTROLLER CAN BE SET +/- 0.1° F/C. RECOMMENDED MINIMUM SETPOINT IS 50°F
- UNIT ARRIVES CHARGED WITH R-410A REFRIGERANT
- HAIL GUARD

**OPTIONS:**

- LOW AMBIENT MOTORMASTER KIT FOR OUTDOOR TEMPERATURES -20°F TO 50°F
- MARINE CONDENSER COATING FOR COASTAL APPLICATIONS
- NON-FUSED DISCONNECT
- ASME TITANIUM COIL
- INTEGRATED PUMP
- EXPEDITED ASSEMBLY



9100 Bolton Ave., Hudson, FL, 34667 (727) 861-2421 - info@deltahydro.com