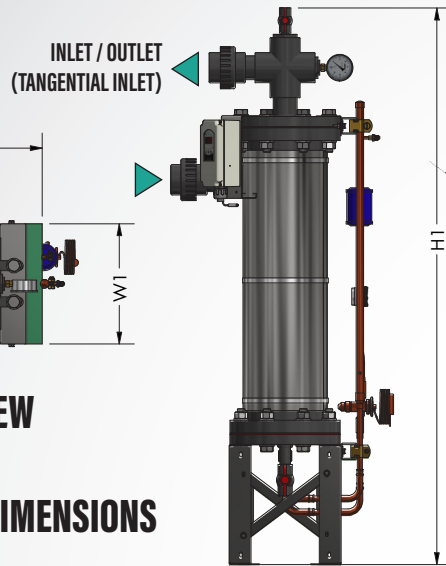




HYDROMARINE HEAT PUMP 6, 7.5 & 10 TONS - SPLIT

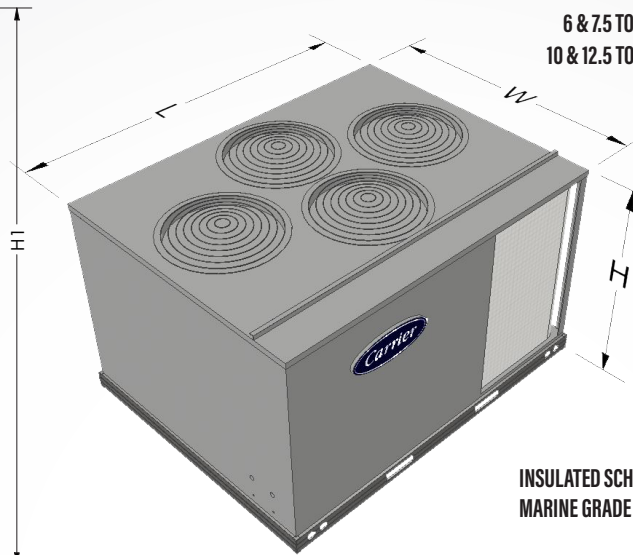
TITANIUM HEAT EXCHANGER FOR USE IN ALL AQUATIC CHILLING/HEATING APPLICATIONS



PLAN VIEW

EVAPORATOR DIMENSIONS

FRONT VIEW

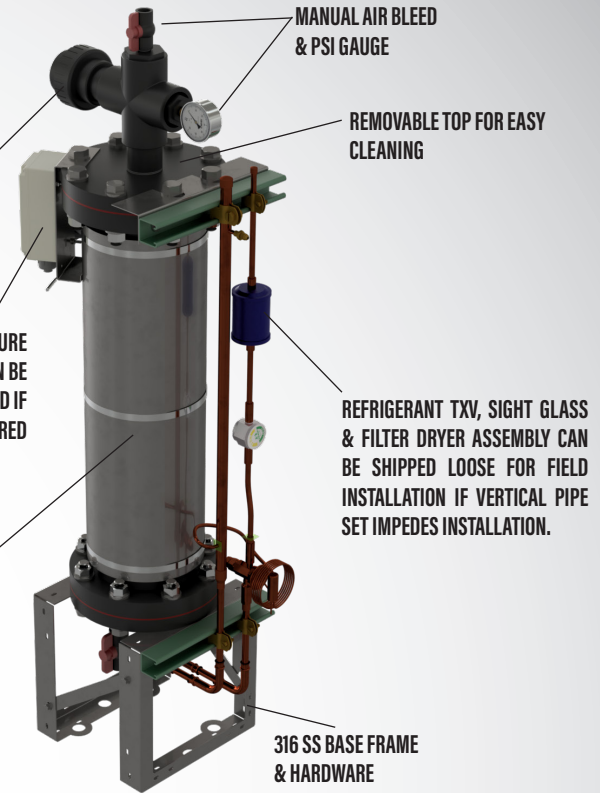


CONDENSER DIMENSIONS

INSULATED SCH80 PVC SHELL W/
MARINE GRADE ALUMINUM JACKET

6 & 7.5 TON UNITS: Ø2" UNION
10 & 12.5 TON UNITS: 3" FLANGE

DIGITAL TEMPERATURE
CONTROLLER CAN BE
FIELD RELOCATED IF
DESIRED



MANUAL AIR BLEED
& PSI GAUGE

REMOVABLE TOP FOR EASY
CLEANING

REFRIGERANT TXV, SIGHT GLASS
& FILTER DRYER ASSEMBLY
CAN BE SHIPPED LOOSE FOR FIELD
INSTALLATION IF VERTICAL PIPE
SET IMPEDES INSTALLATION.

316 SS BASE FRAME
& HARDWARE

NOTES:

- VERIFY LINE SET TUBING DIAMETERS FOR RUN AND RISE PER CARRIER IOM
- Gr.2 TITANIUM TUBE HEAT EXCHANGER COILS
- NORMAL OPERATING AMBIENT AIR TEMPERATURE: 50 F - 115 F
- ALL CONDENSING UNITS HAVE EER OF 11 OR BETTER.
- TOP DISCHARGE AREA SHOULD BE UNRESTRICTED FOR 48 INCHES MINIMUM
- AVOID PLACING UNIT IN DIRECT AREA OF ROOF RUNOFF OR CONSTANT WATER FLOW
- CONSULT **CARRIER** SPECIFIED CONDENSER CLEARANCES WHEN PLACING UNIT(S)
- SCH 80 PVC SHELL CONSTRUCTION WITH REMOVABLE FLANGED ENDS
- ALL 316 SS BASE AND HARDWARE
- MARINE GRADE ALUMINUM JACKET WITH SALTWATER CORROSION RESISTANT CLEAR COATING
- TEMPERATURE CONTROLLER CAN BE SET +/- 0.1° F/C. RECOMMENDED MINIMUM SETPOINT IS 50°F
- HAIL GUARD

OPTIONS:

- LOW AMBIENT MOTORMASTER KIT FOR OUTDOOR TEMPERATURES -20°F TO 50°F
- MARINE CONDENSER COATING FOR COASTAL APPLICATIONS
- NON-FUSED DISCONNECT
- ASME TITANIUM COIL
- EXPEDITED ASSEMBLY

MODEL NUMBER	SPECIFICATIONS				DIMENSIONS (EVAP)			DIMENSIONS (CONDENSER)			POWER OPTIONS	
	Nominal Tonnage / BTUH	Vertical Air Discharge (CFM)	Δ PSI at max flow	Water Flow Range (GPM)	Length (L1)	Width (W1)	Max. Height (H1)	Length (L)	Width (W)	Max. Height (H)	208-230V / 3 ph. MCA / MOCP	460V / 3 ph. MCA / MOCP
DH-HP-6	6 / 72 000	6 000	<5	60 - 120	18"	14"	60"	60"	48"	61"	25 / 30	13 / 20
DH-HP-7.5	7.5 / 90 000	6 000	<5	80 - 120	18"	14"	60"	60"	48"	61"	35 / 50	18 / 30
DH-HP-10	10 / 120 000	6 000	<5	90 - 180	20"	17"	60"	60"	48"	61"	42 / 60	23 / 30

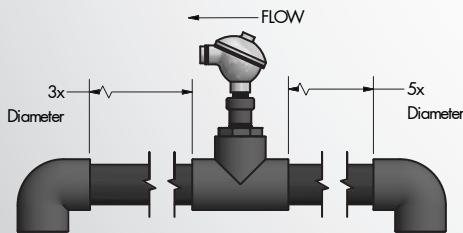
*MCA is the highest steady-state electrical current that the unit should see when operating correctly

*MOCP is the max recommended breaker size

*Nominal Tonnage is based on entering water temperature of 70°F

FLOW SWITCH NOTE:

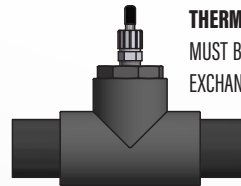
FLOW SWITCH MUST BE INSTALLED HORIZONTALLY ON INLET OR OUTLET OF HEAT EXCHANGER, WITH MINIMUM STRAIGHT PIPE DISTANCES BEFORE AND AFTER AS SHOWN IN DRAWING. OPTIONAL FACTORY MOUNT & WIRE. (SHIPPED LOOSE)



FIELD INSTALLED FLOW SWITCH

THERMOWELL NOTE:

MUST BE INSTALLED ON INLET PIPING TO HEAT EXCHANGER. (SHIPPED LOOSE)



THERMOWELL



Delta Hydronics

9100 Bolton Ave., Hudson, FL, 34667 (727) 861-2421 - info@deltahydro.com