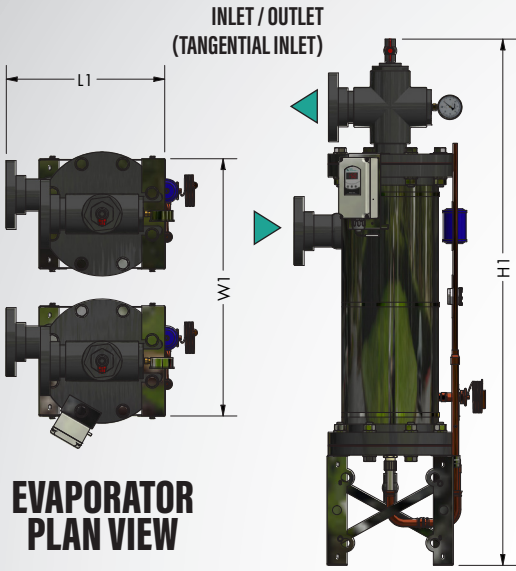




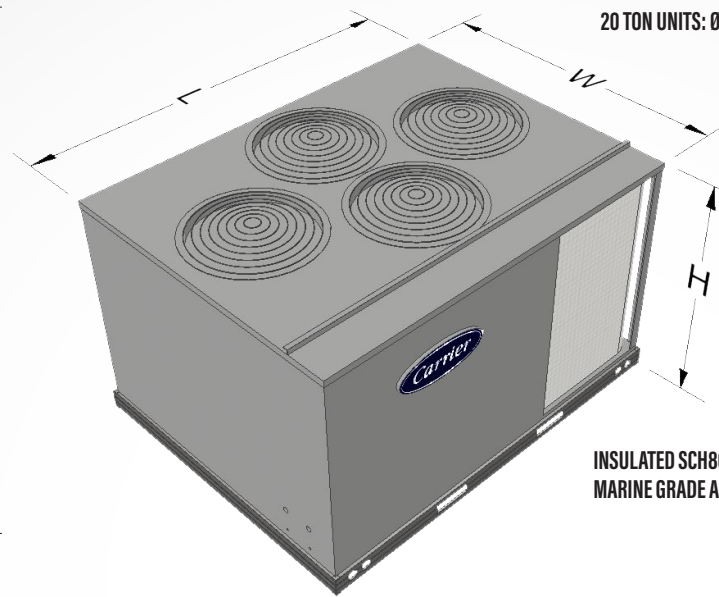
HYDROMARINE HEAT PUMP 15 & 20 TONS - SPLIT

TITANIUM HEAT EXCHANGER FOR USE IN ALL AQUATIC CHILLING/HEATING APPLICATIONS



EVAPORATOR PLAN VIEW

EVAPORATOR FRONT VIEW



CONDENSER DIMENSIONS

MODEL NUMBER	SPECIFICATIONS				DIMENSIONS (EVAP)			DIMENSIONS (CONDENSER)			POWER OPTIONS	
	Nominal Tonnage / BTUH	Vertical Air Discharge (CFM)	Δ PSI at max flow	Water Flow Range (GPM)	Length (L1)	Width (W1)	Max. Height (H1)	Length (L)	Width (W)	Max. Height (H)	208-230V / 3 ph. MCA/MOCP	460V / 3 ph. MCA/MOCP
DH-HP-15	15 / 180 000	10 000	<5	150 - 200	18"	32"	60"	86"	48"	61"	60.8 / 80	29.9 / 40
DH-HP-20	20 / 240 000	14 000	<5	200 - 400	20"	36"	60"	86"	67"	61"	73.7 / 100	40.8 / 50

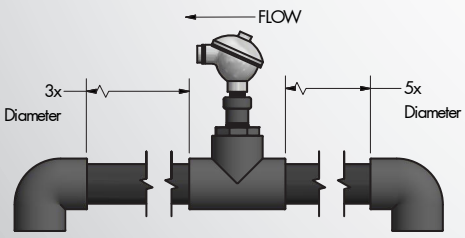
*MCA is the highest steady-state electrical current that the unit should see when operating correctly

*MOCP is the max recommended breaker size

*Nominal Tonnage is based on entering water temperature of 70°F

FLOW SWITCH NOTE:

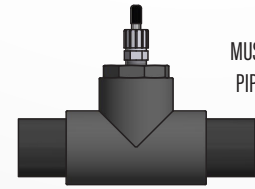
FLOW SWITCH MUST BE INSTALLED HORIZONTALLY ON INLET OR OUTLET OF HEAT EXCHANGER, WITH MINIMUM STRAIGHT PIPE DISTANCES BEFORE AND AFTER AS SHOWN IN DRAWING. OPTIONAL FACTORY MOUNT & WIRE. (SHIPPED LOOSE)



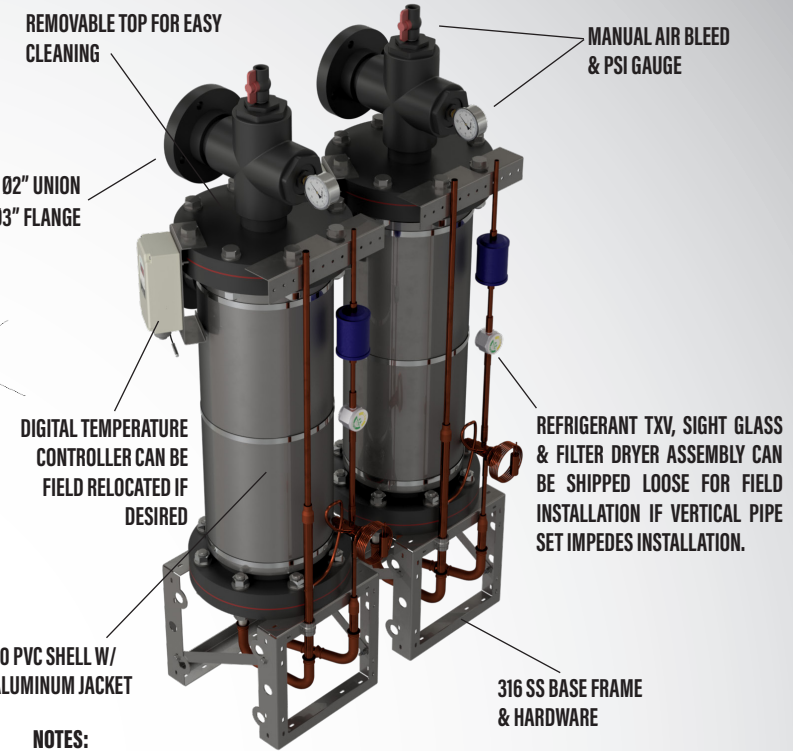
FIELD INSTALLED FLOW SWITCH

THERMOWELL NOTE:

MUST BE INSTALLED ON INLET PIPING TO HEAT EXCHANGER. (SHIPPED LOOSE)



THERMOWELL



NOTES:

- VERIFY LINE SET TUBING DIAMETERS FOR RUN AND RISE PER CARRIER IOM
- DUAL COMPRESSOR/EVAPORATOR DESIGN FOR INCREASED ENERGY EFFICIENCY, FLOW CAPABILITY AND REDUNDANCY.
- NORMAL OPERATING AMBIENT AIR TEMPERATURE: 50 F - 115 F
- Gr:2 TITANIUM TUBE HEAT EXCHANGER COILS
- NORMAL OPERATING AMBIENT AIR TEMPERATURE: 50 F - 115 F
- ALL CONDENSING UNITS HAVE EER OF 11 OR BETTER.
- TOP DISCHARGE AREA SHOULD BE UNRESTRICTED FOR 48 INCHES MINIMUM
- AVOID PLACING UNIT IN DIRECT AREA OF ROOF RUNOFF OR CONSTANT WATER FLOW
- CONSULT **CARRIER** SPECIFIED CONDENSER CLEARANCES WHEN PLACING UNIT(S)
- SCH 80 PVC SHELL CONSTRUCTION WITH REMOVABLE FLANGED ENDS
- ALL 316 SS BASE AND HARDWARE
- MARINE GRADE ALUMINUM JACKET WITH SALTWATER CORROSION RESISTANT CLEAR COATING
- TEMPERATURE CONTROLLER CAN BE SET +/- 0.1° F/C. RECOMMENDED MINIMUM SETPOINT IS 50°F.
- HAIL GUARD

OPTIONS:

- LOW AMBIENT MOTORMASTER KIT FOR OUTDOOR TEMPERATURES -20°F TO 50°F
- MARINE CONDENSER COATING FOR COASTAL APPLICATIONS
- NON-FUSED DISCONNECT
- ASME TITANIUM COIL
- EXPEDITED ASSEMBLY



Delta Hydronics

9100 Bolton Ave., Hudson, FL, 34667 (727) 861-2421 - info@deltahydro.com