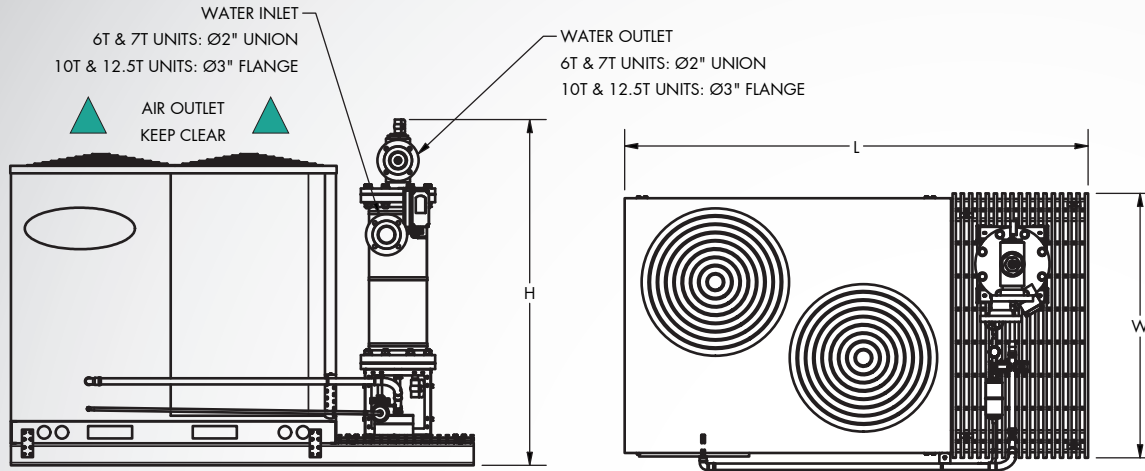




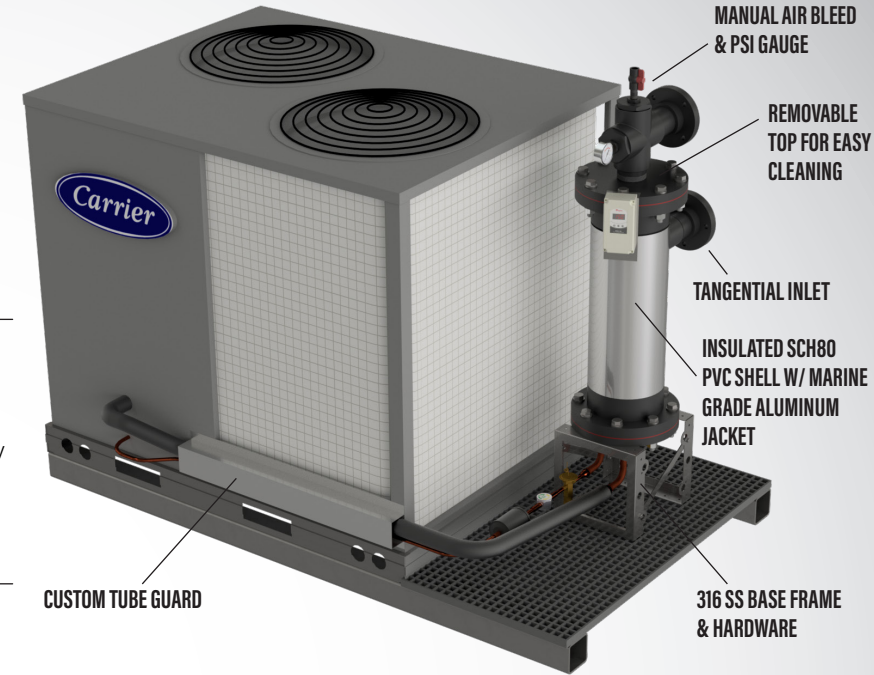
HYDROMARINE CHILLER 6 - 12 TONS

TITANIUM HEAT EXCHANGER FOR USE IN ALL AQUATIC CHILLING APPLICATIONS



FRONT VIEW

PLAN VIEW



MODEL NUMBER	SPECIFICATIONS				DIMENSIONS			POWER OPTIONS	
	Nominal Tonnage / BTUH	Vertical Air Discharge (CFM)	Δ PSI at max flow	Water Flow Range (GPM)	Length (L)	Width (W)	Max. Height (H)	208-230V / 3 ph. MCA / MOCP	460V / 3 ph. MCA / MOCP
DH-SC-6	6 / 72 000	6 000	<5	60 - 120	84"	48"	63"	28 / 45	12 / 20
DH-SC-7.5	7.5 / 90 000	6 000	<5	80 - 120	84"	48"	63"	34.3 / 50	16.9 / 25
DH-SC-10	10 / 120 000	6 000	<5	90 - 180	84"	48"	63"	40.6 / 60	22.5 / 30
DH-SC-12.5	12.5 / 150 000	6 000	<5	100 - 180	112"	48"	63"	63.1 / 80	24.9 / 30

*MCA is the highest steady-state electrical current that the unit should see when operating correctly

*MOCP is the max recommended breaker size

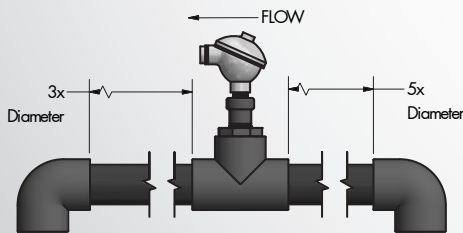
*Nominal Tonnage is based on entering water temperature of 70°F

NOTES:

- CONDENSER AND SKID MOUNTED ON 4" MARINE GRADE ALUMINUM SQUARE TUBE
- Gr.2 TITANIUM TUBE HEAT EXCHANGER COILS
- NORMAL OPERATING AMBIENT AIR TEMPERATURE: 50 F - 115 F
- ALL CONDENSING UNITS HAVE EER OF 11 OR BETTER.
- TOP DISCHARGE AREA SHOULD BE UNRESTRICTED FOR 48 INCHES MINIMUM
- AVOID PLACING UNIT IN DIRECT AREA OF ROOF RUNOFF OR CONSTANT WATER FLOW
- CONSULT **CARRIER** SPECIFIED CONDENSER CLEARANCES WHEN PLACING UNIT(S)
- SCH 80 PVC SHELL CONSTRUCTION WITH REMOVABLE FLANGED ENDS
- ALL 316 SS BASE AND HARDWARE
- MARINE GRADE ALUMINUM JACKET WITH SALTWATER CORROSION RESISTANT CLEAR COATING
- TEMPERATURE CONTROLLER CAN BE SET +/- 0.1° F/C. RECOMMENDED MINIMUM SETPOINT IS 50°F
- UNIT ARRIVES CHARGED WITH R-410A REFRIGERANT
- HAIL GUARD

OPTIONS:

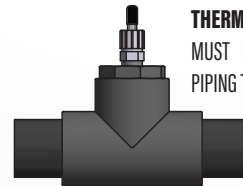
- LOW AMBIENT MOTORMASTER KIT FOR OUTDOOR TEMPERATURES -20°F TO 50°F
- MARINE CONDENSER COATING FOR COASTAL APPLICATIONS
- NON-FUSED DISCONNECT
- ASME TITANIUM COIL
- INTEGRATED PUMP
- EXPEDITED ASSEMBLY



FIELD INSTALLED FLOW SWITCH

FLOW SWITCH NOTE:

FLOW SWITCH MUST BE INSTALLED HORIZONTALLY ON INLET OR OUTLET OF HEAT EXCHANGER, WITH MINIMUM STRAIGHT PIPE DISTANCES BEFORE AND AFTER AS SHOWN IN DRAWING. OPTIONAL FACTORY MOUNT & WIRE.



THERMOWELL

THERMOWELL NOTE:

MUST BE INSTALLED ON INLET PIPING TO HEAT EXCHANGER.



Delta Hydronics

9100 Bolton Ave., Hudson, FL, 34667 (727) 861-2421 - info@deltahydro.com