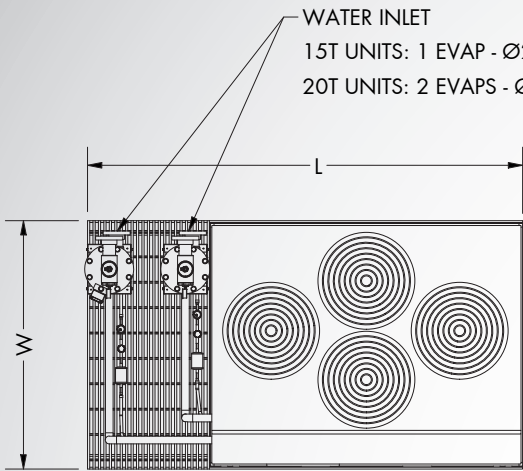
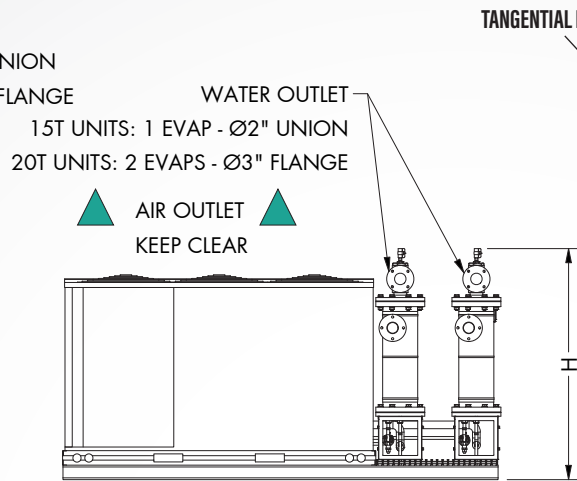


HYDROMARINE CHILLER 15 & 20 TONS

TITANIUM HEAT EXCHANGER FOR USE IN ALL AQUATIC CHILLING APPLICATIONS



PLAN VIEW



FRONT VIEW

INSULATED SCH80 PVC SHELL W/
MARINE GRADE ALUMINUM JACKET

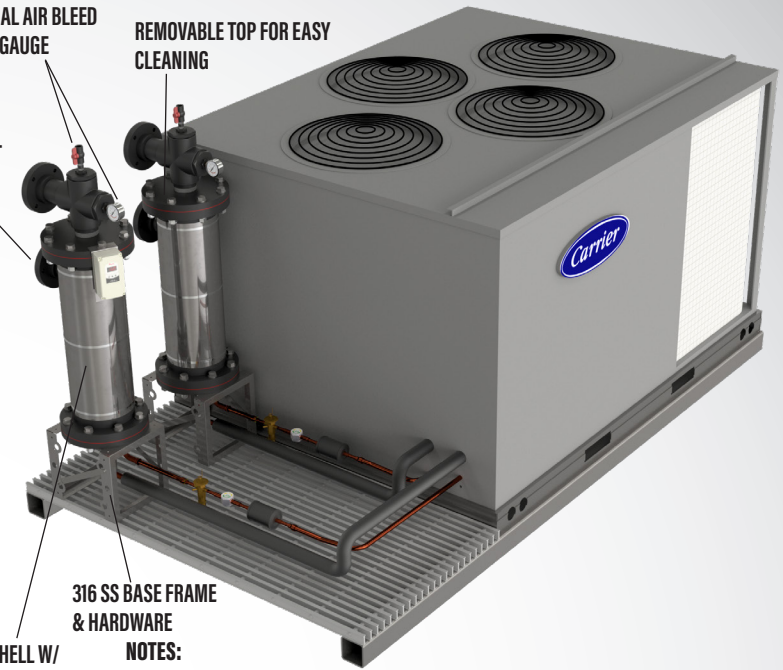
MANUAL AIR BLEED
& PSI GAUGE

REMOVABLE TOP FOR EASY
CLEANING

TANGENTIAL INLET

▲ AIR OUTLET ▲
KEEP CLEAR

316 SS BASE FRAME
& HARDWARE



NOTES:

- CONDENSER AND SKID MOUNTED ON 4" MARINE GRADE ALUMINUM SQUARE TUBE
- DUAL COMPRESSOR/EVAPORATOR DESIGN FOR INCREASED ENERGY EFFICIENCY, FLOW CAPABILITY AND REDUNDANCY
- Gr.2 TITANIUM TUBE HEAT EXCHANGER COILS
- NORMAL OPERATING AMBIENT AIR TEMPERATURE: 50 F - 115 F
- ALL CONDENSING UNITS HAVE EER OF 11 OR BETTER.
- TOP DISCHARGE AREA SHOULD BE UNRESTRICTED FOR 48 INCHES MINIMUM
- AVOID PLACING UNIT IN DIRECT AREA OF ROOF RUNOFF OR CONSTANT WATER FLOW
- CONSULT **CARRIER** SPECIFIED CONDENSER CLEARANCES WHEN PLACING UNIT(S)
- SCH 80 PVC SHELL CONSTRUCTION WITH REMOVABLE FLANGED ENDS
- ALL 316 SS BASE AND HARDWARE
- MARINE GRADE ALUMINUM JACKET WITH SALTWATER CORROSION RESISTANT CLEAR COATING
- TEMPERATURE CONTROLLER CAN BE SET +/- 0.1° F/C. RECOMMENDED MINIMUM SETPOINT IS 50°F
- UNIT ARRIVES CHARGED WITH R-410A REFRIGERANT
- HAIL GUARD
- **OPTIONS:**
- LOW AMBIENT MOTORMASTER KIT FOR OUTDOOR TEMPERATURES -20°F TO 50°F
- MARINE CONDENSER COATING FOR COASTAL APPLICATIONS
- NON-FUSED DISCONNECT
- ASME TITANIUM COIL
- INTEGRATED PUMP
- EXPEDITED ASSEMBLY
- 15 TON SINGLE STAGE/EVAPORATOR

| MODEL NUMBER | SPECIFICATIONS | | | | DIMENSIONS | | | POWER OPTIONS | |
|--------------|------------------------|------------------------------|-------------------|------------------------|------------|-----------|-----------------|-----------------------------|-------------------------|
| | Nominal Tonnage / BTUH | Vertical Air Discharge (CFM) | Δ PSI at max flow | Water Flow Range (GPM) | Length (L) | Width (W) | Max. Height (H) | 208-230V / 3 ph. MCA / MOCP | 460V / 3 ph. MCA / MOCP |
| DH-SC-15 | 15 / 180 000 | 9 000 | <5 | 150 - 200 | 104" | 48" | 64" | 65.6 / 90 | 32.1 / 40 |
| DH-SC-20 | 20 / 240 000 | 12 000 | <5 | 240 - 400 | 120" | 67" | 64" | 73.7 / 100 | 40.8 / 50 |

*MCA is the highest steady-state electrical current that the unit should see when operating correctly

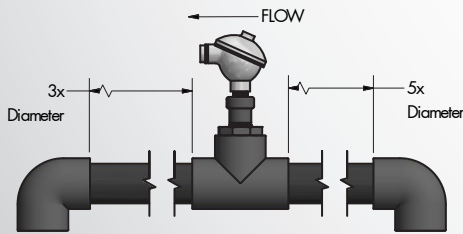
*MOCP is the max recommended breaker size

*Nominal Tonnage is based on entering water temperature of 70°F

*Cut flow range in half if running evaporators in series

FLOW SWITCH NOTE:

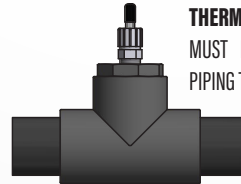
FLOW SWITCH MUST BE INSTALLED HORIZONTALLY ON INLET OF HEAT EXCHANGER, WITH MINIMUM STRAIGHT PIPE DISTANCES BEFORE AND AFTER AS SHOWN IN DRAWING. OPTIONAL FACTORY MOUNT & WIRE.



FIELD INSTALLED FLOW SWITCH

THERMOWELL NOTE:

MUST BE INSTALLED ON INLET PIPING TO HEAT EXCHANGER.



THERMOWELL



9100 Bolton Ave., Hudson, FL, 34667 (727) 861-2421 - info@deltahydro.com