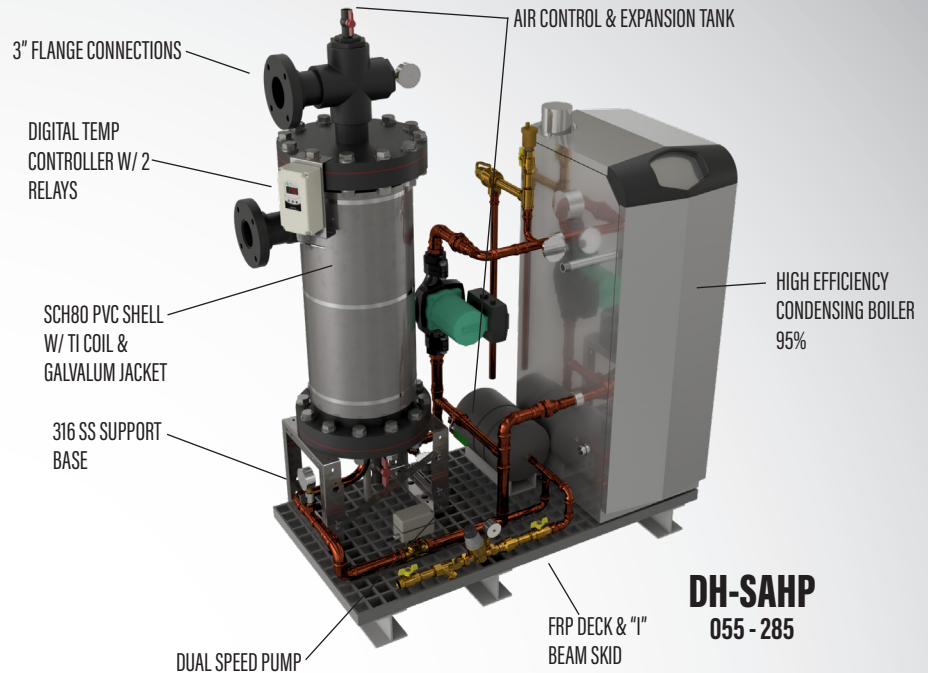




# SINGLEPOINT AQUATIC HEATING PACKAGE

PRE-PACKAGED TI HEAT TRANSFER SKID FOR AQUATIC HEATING APPLICATIONS



**DH-SAHP  
055 - 285**

MODEL NUMBER	SPECIFICATION			DIMENSIONS			
	Min Aquatic Flow (GPM)	Min Boiler / Aquatic ΔT	Max BTU Output (Heating)	Length (L)	Width (W)	Max. Height (H)	Aquatic Connection Size
DH-SAHP-110	60	35	104 500	48"	24"	67"	2"
DH-SAHP-155	70	50	147 250	48"	24"	67"	3"
DH-SAHP-199	110	50	189 050	48"	24"	67"	3"
DH-SAHP-285	150	50	270 750	48"	24"	67"	3"
DH-SAHP-400	200	50	380 000	72"	36"	67"	3"
DH-SAHP-500	300	50	475 000	72"	36"	67"	3"

\* BTU Output based on 70°F incoming aquatic water with boiler operating at 120°F (50°F ΔT). Consult Delta for specific application design.

\* Max shell side pressure drop is 5 PSID per unit.

\* Reference HydroMarine Heat Exchanger Spec Sheet DH-WTW-10X3 for complete flow and ΔT spectrum.

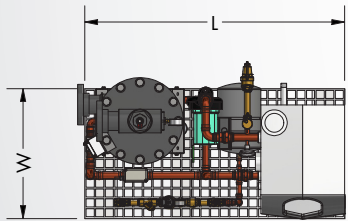
\* SAHP packages designed for non pressurized open water aquatic systems.

### NOTES:

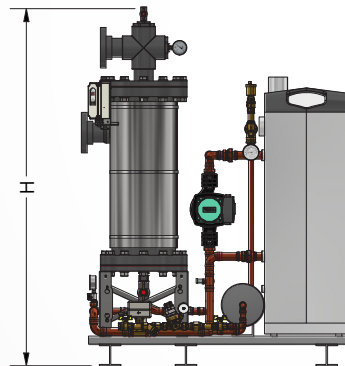
- Sch80 PVC HEAT EXCHANGER SHELL WITH TITANIUM COIL FOR MARINE APPLICATIONS
- PACKAGE ARRIVES PREWIRED AND ASSEMBLED FOR EASY INSTALLATION
- 220V/1ph POWER REQUIRED
- FLOW AND TEMPERATURE SAFETY LIMITS
- ALL 316SS HARDWARE ON PHE AND SKID
- MODULATING, HIGH EFFICIENCY BOILER FOR ACCURATE TEMPERATURE CONTROL
- EASILY CLEANABLE HEAT EXCHANGER
- NATURAL GAS OR PROPANE REQUIRED
- THERMOWELL AND FLOW SWITCH SHIPPED LOOSE FOR FIELD INSTALLATION
- GAS, VENT & ELECTRIC CONNECTIONS TO CONFORM TO NFGC AND LOCAL BOILER & ELECTRIC CODES. PERFORMED BY LICENSED CONTRACTOR

### OPTIONS:

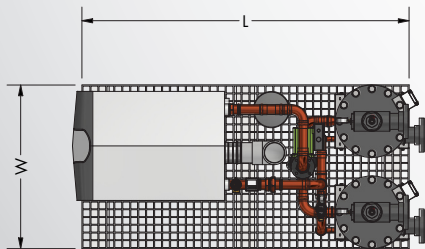
- OUTDOOR PACKAGE
- Sch80 CPVC SHELL (>140°F OPERATION)



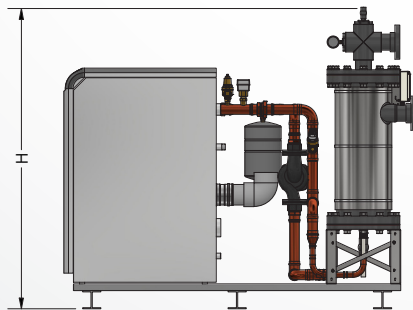
**PLAN VIEW 055 - 285**



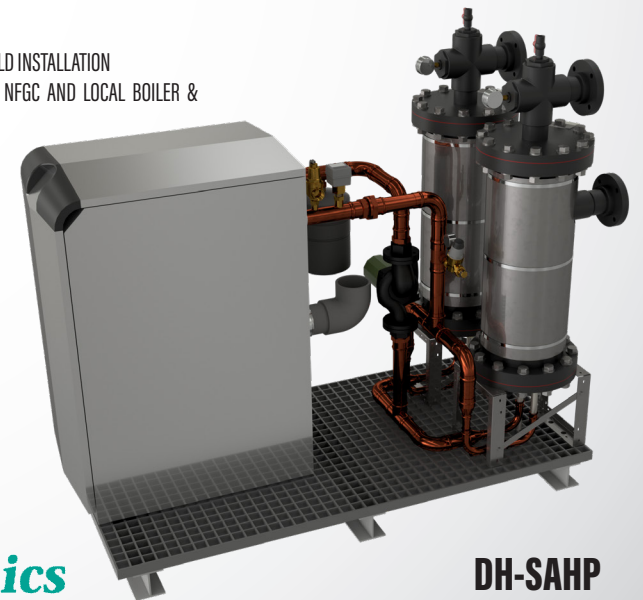
**SIDE VIEW 055 - 285**



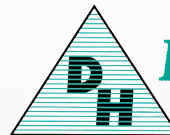
**PLAN VIEW 400-500**



**SIDE VIEW 400-500**



**DH-SAHP  
400 - 500**



**Delta  
Hydronics**

9100 Bolton Ave., Hudson, FL, 34667 (727) 861-2421 - info@deltahydro.com