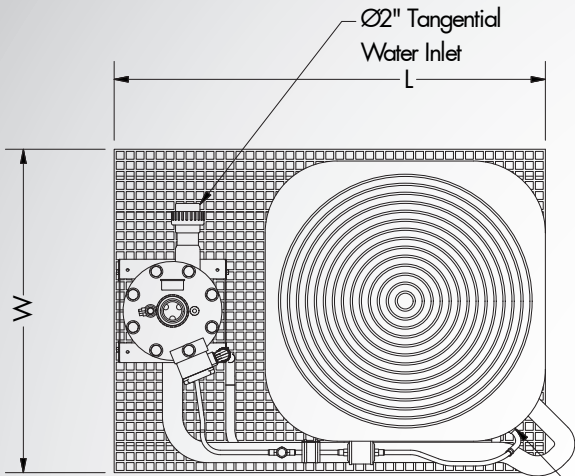


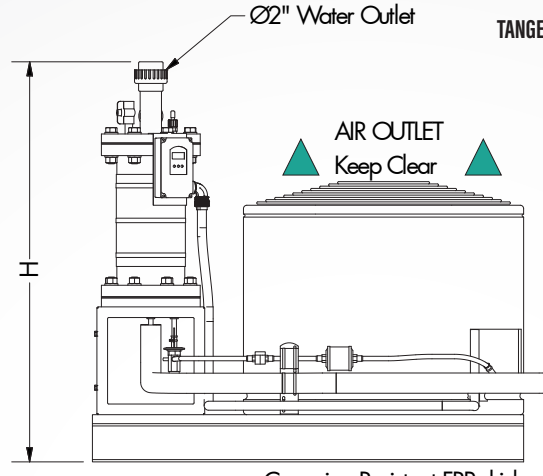


# HYDROMARINE CHILLER 1.5 - 5.0 TONS

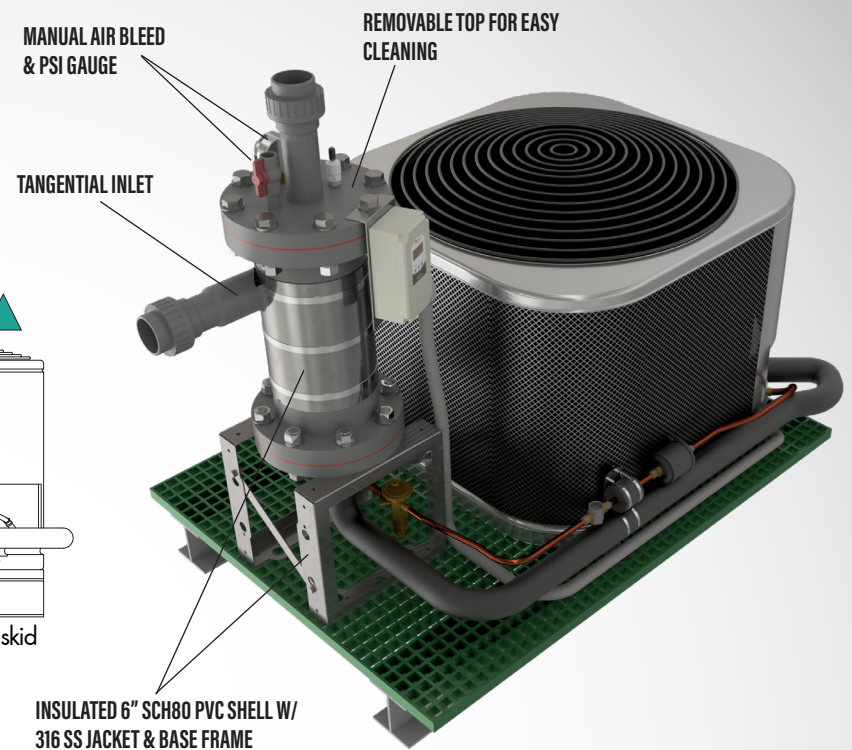
TITANIUM HEAT EXCHANGER FOR USE IN ALL AQUATIC CHILLING APPLICATIONS



**PLAN VIEW**



**FRONT VIEW**



Electrical and Refrigerant Component Service Panel Access

Corrosion Resistant FRP skid

INSULATED 6" SCH80 PVC SHELL W/ 316 SS JACKET & BASE FRAME

MODEL NUMBER	SPECIFICATIONS				DIMENSIONS			POWER OPTIONS		
	Nominal Tonnage / BTUH	Vertical Air Discharge (CFM)	Δ PSI at max flow	Water Flow Range (GPM)	Length (L)	Width (W)	Max. Height (H)	208-230V / 1 ph. MCA	208-230V / 3 ph. MCA	460V / 3 ph. MCA
DH-SC-1.5	1.5 / 18 000	1 600	<5	30 - 100	48"	35"	49"	11.7	n/a	n/a
DH-SC-2	2.0 / 24 000	1 881	<5	30 - 100	48"	35"	49"	14.1	n/a	n/a
DH-SC-2.5	2.5 / 30 000	2 614	<5	35 - 100	48"	35"	49"	16.1	11.2	n/a
DH-SC-3	3.0 / 36 000	3 167	<5	35 - 100	48"	35"	58"	18.1	14.5	7.7
DH-SC-3.5	3.5 / 42 000	3 340	<5	50 - 120	48"	35"	58"	20.9	17.8	8.1
DH-SC-4	4.0 / 48 000	3 454	<5	50 - 120	48"	35"	58"	22.3	18	8.3
DH-SC-5	5.0 / 60 000	3 700	<5	60 - 120	48"	35"	58"	27.5	21.4	10.5

\*MCA is the highest steady-state electrical current that the unit should see when operating correctly

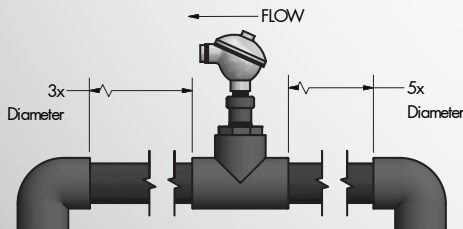
\*Nominal Tonnage based on entering water temperature of 70°F

**FLOW SWITCH NOTE:**

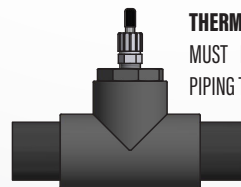
FLOW SWITCH MUST BE INSTALLED HORIZONTALLY ON INLET OF HEAT EXCHANGER, WITH MINIMUM STRAIGHT PIPE DISTANCES BEFORE AND AFTER AS SHOWN IN DRAWING. OPTIONAL FACTORY MOUNT & WIRE.

**THERMOWELL NOTE:**

MUST BE INSTALLED ON INLET PIPING TO HEAT EXCHANGER.



**FIELD INSTALLED FLOW SWITCH**



**THERMOWELL**

**NOTES:**

- Gr.2 TITANIUM TUBE HEAT EXCHANGER COIL
- NORMAL OPERATING AMBIENT AIR TEMPERATURE: 50 F - 115 F
- ALL CONDENSING UNITS HAVE A 14 SEER RATING.
- TOP DISCHARGE AREA SHOULD BE UNRESTRICTED FOR 48 INCHES MINIMUM
- AVOID PLACING UNIT IN DIRECT AREA OF ROOF RUNOFF OR CONSTANT WATER FLOW
- CONSULT **CARRIER** SPECIFIED CONDENSER CLEARANCES WHEN PLACING UNIT(S)
- SCH 80 PVC SHELL CONSTRUCTION WITH REMOVABLE FLANGED ENDS
- ALL 316 SS BASE, JACKET AND HARDWARE
- TEMPERATURE CONTROLLER CAN BE SET +/- 0.1° F/C. RECOMMENDED MINIMUM SETPOINT IS 45°F
- UNIT ARRIVES CHARGED WITH R-410A REFRIGERANT

**OPTIONS:**

- LOW AMBIENT HEAD PRESSURE SWITCH FOR OUTDOOR TEMPERATURES -0°F TO 55°F
- COMPRESSOR START ASSIST FOR APPLICATIONS WITH POSSIBLE LOW VOLTAGE ISSUES
- MARINE CONDENSER COATING FOR COASTAL APPLICATIONS
- FACTORY MOUNTED & WIRED FLOW SWITCH
- INLET ORIENTATION SPECIFIED AT TIME OR ORDER
- LOW TEMP APPLICATION EVAPORATOR FREEZE GUARD



**Delta Hydronics**

9100 Bolton Ave., Hudson, FL, 34667 (727) 861-2421 - info@deltahydro.com