



ENGINEERED MINIPAC

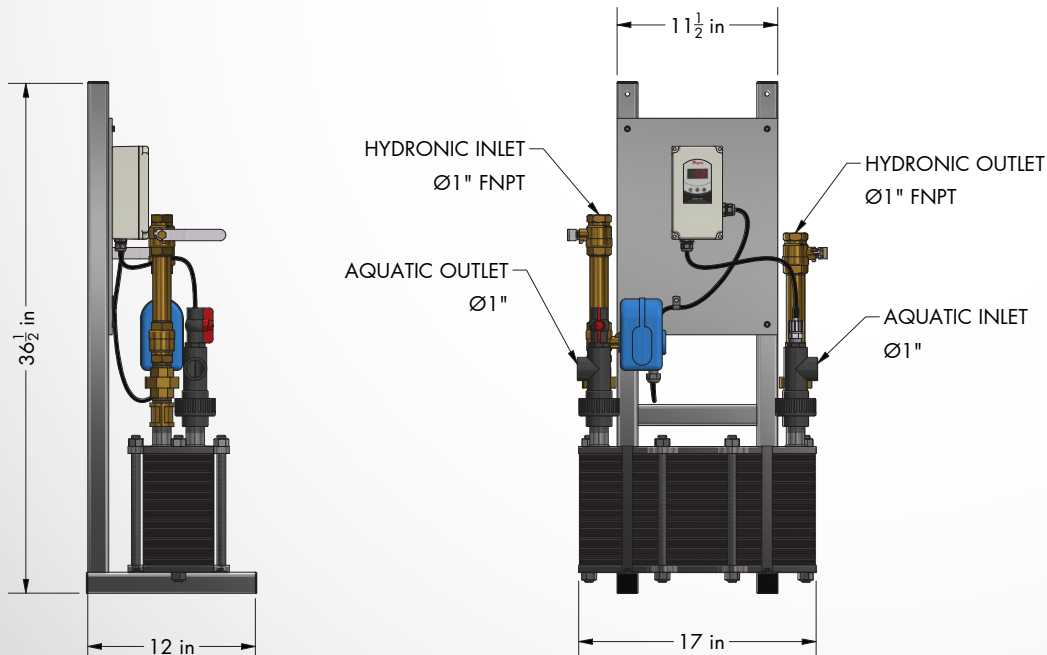


PACKAGE SPECIFICATIONS

- PLATE PACK CAN HOLD UP TO 60 PLATES (TITANIUM OR 316SS)
- GASKET OPTIONS INCLUDE EPDM, NBR, VITON, ETC...
- BTU OUTPUT IS DEPENDENT ON PLATE COUNT, FLOW RATES AND FLUID TEMPERATURES
- DELTA HYDRONICS TSW-250 TEMPERATURE CONTROLLER HAS 0.1°F RESOLUTION (0-10V CONTROLLER AVAILABLE IF NEEDED)
- STANDARD HYDRONIC FLOW CONTROL DEVICE IS ON/OFF 2-WAY VALVE. OTHER OPTIONS INCLUDE:
 - MODULATING 2 OR 3 WAY VALVE
 - CIRCULATOR PUMP
- STAND IS T6061 MARINE GRADE ALUMINUM WITH ALL 316SS MOUNTING HARDWARE
- PHE CAN BE REMOVED FOR CLEANING OR ADDING PLATES IF NEEDED FOR LARGER BTU APPLICATIONS.
- MAX RECOMMENDED FLOW: 30 GPM
- MAX CHILLING CAPACITY: 250 MBH
- MAX HEATING CAPACITY: 500 MBH

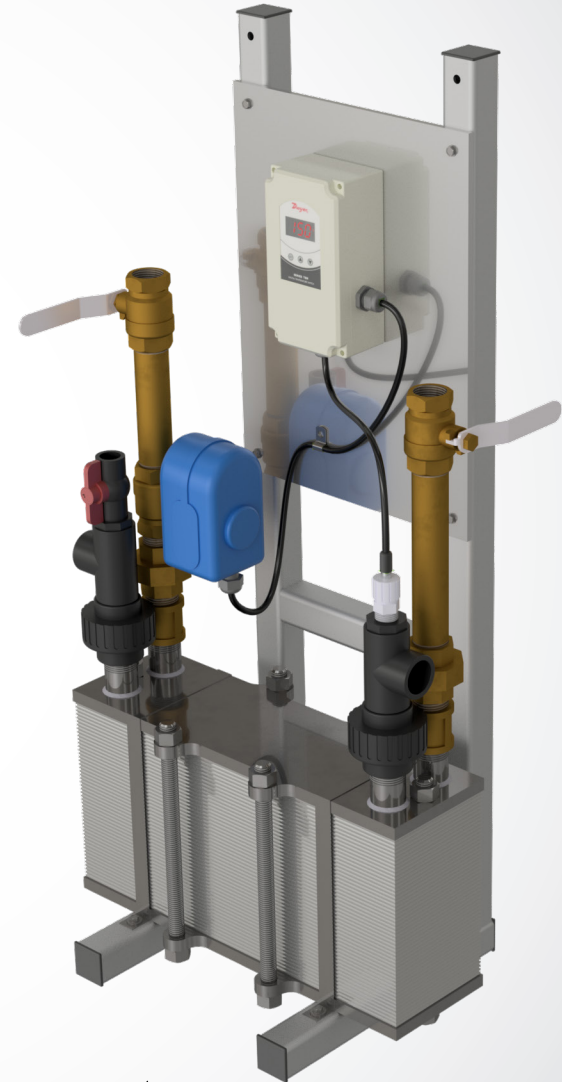
**Chilling capacity based on 70°F Aquatic Temperature, 40°F Chilled Water Temperature, 30 GPM Flows, 17°F ΔT @ 5PSID*

**Heating capacity based on 80°F Aquatic Temperature, 140°F Hot Water Temperature, with 35°F ΔT @ 5PSID*



Delta Hydronics engineered MiniPac heat transfer solutions are exclusively configured for the Aquatic System Designer and LLS Engineer's temperature control requirements and space challenges.

MiniPac is an engineered heat transfer system that can be customized for your heating or chilling application. The MiniPac heat transfer package utilizes a compact, gasketed Plate Heat Exchanger with a corrosion resistant T6061 Aluminum frame specifically designed for the aquatics industries.



Delta Hydronics

9100 Bolton Ave., Hudson, FL, 34667 (727) 861-2421 - info@deltahydro.com